



**KEY FEATURES**

- Universal Input Range 85-530VAC, 47-63Hz
- I/O Isolation 4300VAC
- Operating Ambient Temperature Range -40°C to +90°C
- No Load Power Consumption < 0.3W
- Over-Voltage Category OVC III
- Isolation Class II
- Safety Approval to UL / IEC / EN 62368-1
- 3-Year Product Warranty



(In Progress)

**ELECTRICAL SPECIFICATIONS**

All specifications valid at normal input voltage, full load and +25°C after warm-up time unless otherwise stated.

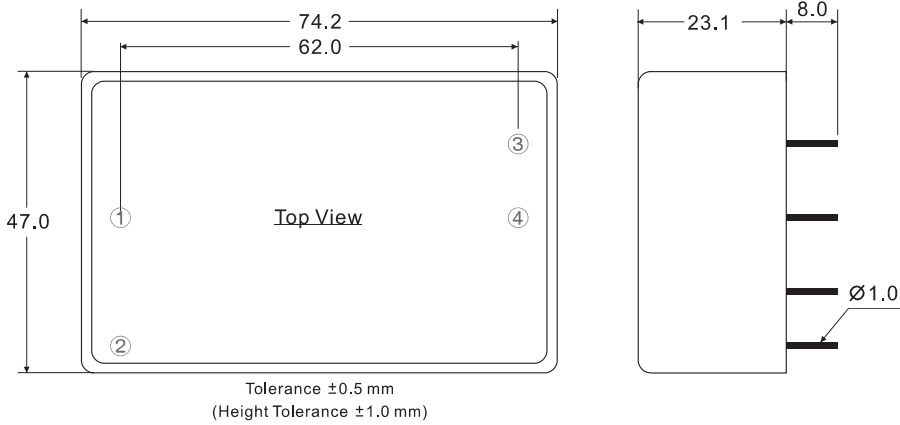
Model No.	ARCF20-5S	ARCF20-12S	ARCF20-15S	ARCF20-24S	
Max Output Wattage (W)	20W				
Input	Voltage	85-530 VAC or 120-750 VDC			
	Frequency (Hz)	47-63 Hz			
	Current (Full load)	500 mA max. (115 VAC) / 300 mA max. (230 VAC)			
	Inrush Current (<2ms)	40 A max. (230 VAC)			
	No Load Power Consumption	< 0.3W (115/230 VAC)			
	External Fuse (mandatory)	2 A slow blow type			
Output	Voltage (V.DC.)	5V	12V	15V	24V
	Voltage Accuracy	±2%			
	Current (mA) max	4000	1666	1333	833
	Maximum Capacitive Load (at 230VAC)	15000 uF	3000 uF	2000 uF	1000 uF
	Minimum Load	0%			
	Line Regulation (LL-HL) (typ.)	±1%			
	Load Regulation (5-100%) (typ.)	±1%			
	Ripple & Noise (Full Load)	120mV	120mV	150mV	240mV
	Efficiency (at 230 VAC)	86%	85%	85%	86%
Hold-up Time(typ)	30ms (230VAC)				
Protection	Over Power Protection	Auto recovery			
	Over Voltage Protection	Zener diode clamp			
	Short Circuit Protection	Hiccup mode, indefinite (automatic recovery)			
Isolation	Input-Output (V.AC)				
Environment	Operating Temperature	-40°C...+90°C (with derating)			
	Storage Temperature	-40°C...+90°C			
	Temperature Coefficient	±0.05%/°C			
	Altitude During Operation	5000m (UL / IEC / EN 62368-1)			
	Humidity	95% RH			
	MTBF	>250,000 h @ 25°C (MIL-HDBK-217F)			
	Vibration	IEC60068-2-6 (10~500Hz, 2G 10min./1cycle, 60min. each along X, Y, Z axes)			
Shock	IEC60068-2-27				
Physical	Dimensions (L x W x H)	2.92 x 1.85 x 0.91 Inches ( 74.2 x 47.0 x 23.1 mm ) Tolerance ±0.5 mm, Height Tolerance ±1 mm			
	Case Material	Plastic resin (flammability to UL 94V-0)			
	Weight	175 g			
	Cooling Method	Free air convection			
Safety	Approval	UL / IEC / EN 62368-1 (In Progress)			
EMC	EMI (Conducted & Radiated Emission)	EN 55032 class B (In Progress)			
	EMS (Noise Immunity)	EN 55035 (In Progress)			



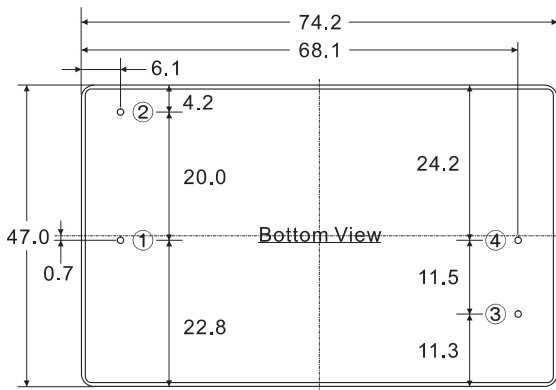
**NOTE**

1. Ripple & Noise are measured at 20MHz of bandwidth with 0.1uF & 47uF parallel capacitor.
2. Please refer to our PDF file "AC-DC Application" on our website: [www.blum-germany.com](http://www.blum-germany.com)

**MECHANICAL DIMENSIONS ( Top View )**



PIN#	Single
1	AC IN (N)
2	AC IN (L)
3	+DC OUT
4	-DC OUT



**DERATING**

