

EA1068 Series

AC/DC Single Output Desk Top Type

• 25~72Watts Max.



Features

- DoE Compliance
- RoHS Compliance
- Over Voltage Protective Installation
- Over Current Protective Installation
- Over Temperature Protective Installation
- Short Circuit Protective Installation
- LED Indication
- MTBF > 100,000 hours

EA1068 x Y - vv PP

x: Case type: 1. C14 2. C8 3. C6 6. C18

Y: Output range

vv: Specified output voltage, ie 24 is 24Vdc

PP: Connector type, ie 01 for EDACPOWER standard dc cable or please refer to the appendix page

Electrical Specifications

MODEL No.	MAX. OUTPUT POWER (W)	OUTPUT VOLTAGE (Vo)	MIN. LOAD (Io)	MAX. LOAD (Io)	LOAD REGULATION	LINE REGULATION	RIPPLE & NOISE
EA1068xA	25W	5V~9V	0A	5.0A	± 5%	± 3%	180mV
EA1068xB	40W	12V~16V	0A	3.33A	± 5%	± 3%	240mV
EA1068xC	40W	18V~24V	0A	2.10A	± 5%	± 3%	360mV
EA1068xD	40W	32V~42V	0A	1.25A	± 5%	± 3%	630mV
EA1068xE	40W	44V~56V	0A	0.90A	± 5%	± 3%	840mV
EA1068xF	30W	5V~9V	0A	6.0A	± 5%	± 3%	180mV
EA1068xG	50W	12V~16V	0A	4.16A	± 5%	± 3%	240mV
EA1068xH	50W	18V~24V	0A	2.63A	± 5%	± 3%	360mV
EA1068xJ	50W	32V~42V	0A	1.56A	± 5%	± 3%	630mV
EA1068xK	50W	44V~56V	0A	1.13A	± 5%	± 3%	840mV
EA1068xW	40W	5V~9V	0A	8.0A	± 5%	± 3%	180mV
EA1068xM	35W	5V~9V	0A	7.0A	± 5%	± 3%	180mV
EA1068xN	60W	12V~16V	0A	5.0A	± 5%	± 3%	240mV
EA1068xP	60W	18V~24V	0A	3.15A	± 5%	± 3%	360mV
EA1068xQ	60W	32V~42V	0A	1.87A	± 5%	± 3%	630mV
EA1068xR	60W	44V~56V	0A	1.36A	± 5%	± 3%	840mV
EA1068xY	65W	12V~16V	0A	5.42A	± 5%	± 3%	240mV
EA1068xS	45W	5V~9V	0A	9.0A	± 5%	± 3%	180mV
EA1068xU	72W	12V~16V	0A	6.0A	± 5%	± 3%	240mV
EA1068xV	72W	18V~24V	0A	3.78A	± 5%	± 3%	360mV
EA1068xL	72W	32V~42V	0A	2.25A	± 5%	± 3%	630mV
EA1068xT	72W	44V~56V	0A	1.63A	± 5%	± 3%	840mV

NOTE:

- 1 : Ripple & Noise is measured by using 20MHz bandwidth limited oscilloscope and terminated each output with a 0.1uF ceramic capacitor & parallel with 47uF aluminum capacitor at full load and nominal line.
- 2 : Line regulation is defined by changing ±10% of input voltage from nominal line at rated load.
- 3 : Max. Power (W) ≥Vo x Io

Electrical Specifications

INPUT

- Input Range 100 to 240 VAC
- Frequency 50 to 60Hz
- Input Current ≤2.0A
- Inrush Current ≤120A At cold start
- Efficiency Meet CEC Level VI (DoE), CoC Tier 2
- Hold Up Time ≥8.3mS
- Turn On Time ≤3S

OUTPUT

- Over Voltage Protection Latch off / Auto Recovery
- Short Circuit Protection Auto Recovery
- Over Current Protection Auto Recovery
- Over Temperature Protection Optional

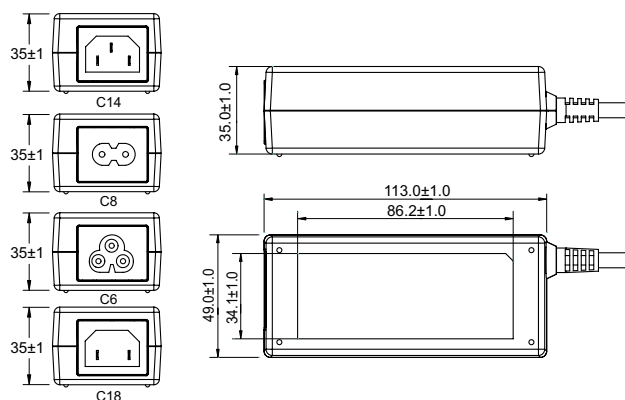
ENVIRONMENTAL

- Operating Temperature 0 to 40°C
- Storage Temperature -20 to 85°C
- Storage Humidity 5% to 90 %

SAFETY

- UL/cUL, TUV, CB, CE, FCC, CCC

Mechanical Specification



- Case Size: 113L x 49W x 35H (mm)
- AC Inlet: C14, C8, C6, C18
- Weight: 300g