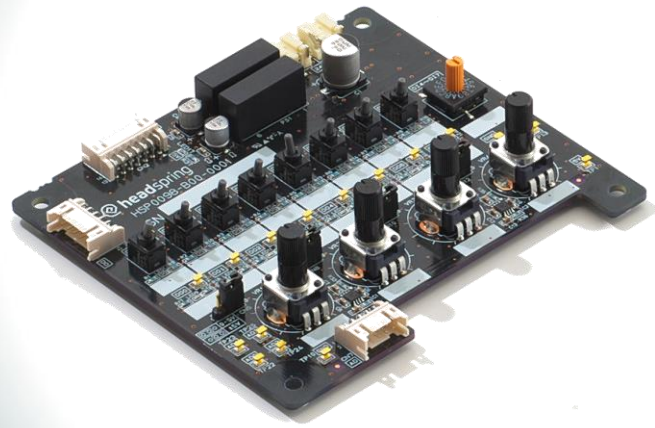


Operation Board for HECS

HC-OP-A

Operation Board for HECS-B/A



Abstract

- Power electronics operation/display board with volume and LED
- Connection cable for Headspring Controller "HECS-B/A"
- DC24V power supply is needed

Specification

Subject	Specification	Notes
Size	W100mm ×D90mm×H24mm	
Power Supply	24V	
Digital-Output (Switch)	Toggle Switch×8ch Rotary Switch×1ch (5V Negative)	Compatible to D-in of HECS-B/A
Digital-Input (LED)	Yellow×8ch Green×4ch Red×4ch (5V Negative)	Compatible to D-in of HECS-B/A
Analog Output (Volume)	4ch 0~5V or -5V~5V	Setting with Jumper Socket

Features

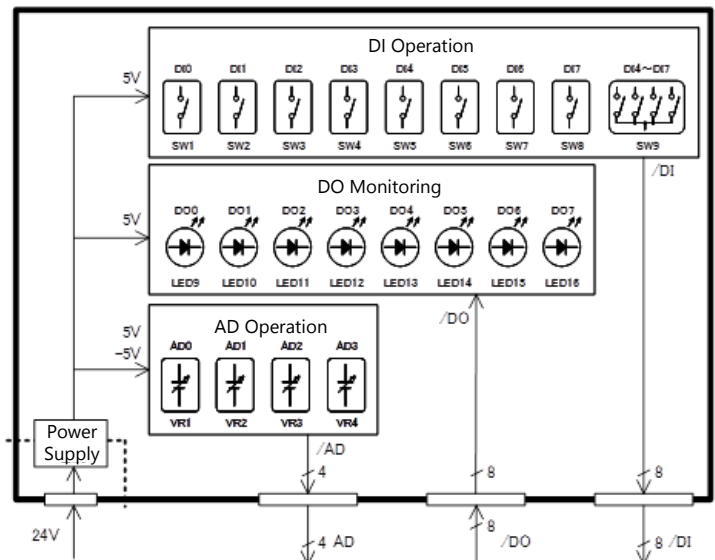
Easy User Interface w/ Volume, SW

- ✓ Flexible Operation and Monitoring
- ✓ Easy Experimental Environment

Compatible I/F to HECS-B/A

- ✓ Combination by Standard Connection Cable
- ✓ Changing Operation Mode and Parameters by Combination of S/W and Volume

Functional Block Diagram



* As of Aug/2017
 * Specification and design subject to change without notice