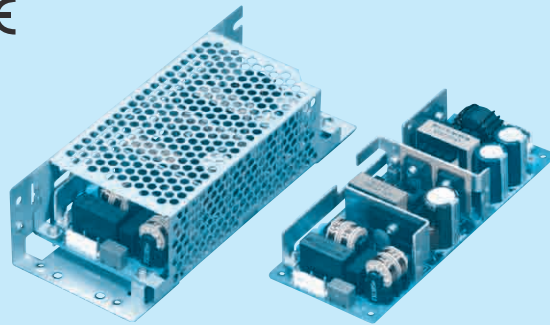
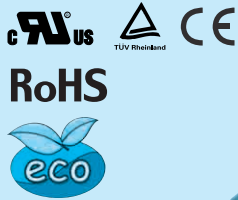


# LFP100F

① LF ② P ③ 100 ④ F ⑤ -□ ⑥ -□



Recommended EMI/EMC Filter  
NAC-04-472



High voltage pulse noise type : NAP series  
Low leakage current type : NAM series

\*The EMI/EMC Filter is recommended to connect with several devices.

- ① Series name
- ② Single output
- ③ Output wattage
- ④ Universal input
- ⑤ Output voltage
- ⑥ Optional \*1
- C : with Coating
- G : Low leakage current
- J1 : VH(J.S.T.)connector type
- R : with Remote ON/OFF
- R2 : with Remote ON/OFF
- S : with Chassis
- SN : with Chassis & cover

Please refer to Instruction manual 6.

This power supply is manufactured by SMD technology. The stress to P.C.B like twisting or bending causes the defect of the unit, so handle the unit with care.

MODEL	LFP100F-24-Y	LFP100F-36-Y	LFP100F-48-Y
MAX OUTPUT WATTAGE[W]	*2 103.2 (206.4)	100.8 (201.6)	100.8 (201.6)
DC OUTPUT	*2 24V 4.3A (8.6A)	36V 2.8A (5.6A)	48V 2.1A (4.2A)

## SPECIFICATIONS

	MODEL	LFP100F-24-Y	LFP100F-36-Y	LFP100F-48-Y	
INPUT	VOLTAGE[V]	AC85 - 264 1 φ (Refer to Instruction Manual 1.1 and 3.2) *5			
	CURRENT[A]	ACIN 100V	1.3typ (Io=100%)		
		ACIN 200V	0.7typ (Io=100%)		
	FREQUENCY[Hz]	50 / 60 (47 - 63)			
	EFFICIENCY[%]	ACIN 100V	84.0typ (Io=100%)	84.0typ (Io=100%)	84.0typ (Io=100%)
		ACIN 200V	87.0typ (Io=100%)	87.0typ (Io=100%)	87.0typ (Io=100%)
	POWER FACTOR	ACIN 100V	0.99typ (Io=100%)		
		ACIN 200V	0.95typ (Io=100%)		
INRUSH CURRENT[A]	ACIN 100V	15typ (Io=100%) (At cold start) (Ta=25°C)			
	ACIN 200V	30typ (Io=100%) (At cold start) (Ta=25°C)			
LEAKAGE CURRENT[ma]	0.40 / 0.75max (ACIN 100V / 240V 60Hz, Io=100%, According to IEC60950-1 and DEN-AN)				
OUTPUT	VOLTAGE[V]	24	36	48	
	CURRENT[A]	*2 4.3 (Peak 8.6)	2.8 (Peak 5.6)	2.1 (Peak 4.2)	
	LINE REGULATION[mV]	*7 96max	144max	192max	
	LOAD REGULATION[mV]	*7 150max	240max	240max	
	RIPPLE[mVp-p]	*3 0 to +50°C	120max	150max	150max
		-10 - 0°C	160max	200max	200max
	RIPPLE NOISE[mVp-p]*3	0 to +50°C	150max	250max	250max
		-10 - 0°C	180max	300max	300max
	TEMPERATURE REGULATION[mV]	0 to +50°C	240max	360max	480max
		-10 to +50°C	290max	450max	600max
	DRIFT[mV]	*4 96max	144max	192max	
	START-UP TIME[ms]	350typ (ACIN 100V, Io=100%)			
	HOLD-UP TIME[ms]	20typ (ACIN 100V, Io=100%)			
	OUTPUT VOLTAGE ADJUSTMENT RANGE[V]	21.60 to 27.50		32.40 to 39.60	
OUTPUT VOLTAGE SETTING[V]	24.00 to 24.96		36.00 to 37.44		
PROTECTION CIRCUIT AND OTHERS	OVERCURRENT PROTECTION	Works over 101% of rating and recovers automatically			
	OVERVOLTAGE PROTECTION[V]	27.60 to 33.60	41.40 to 50.40	55.20 to 67.20	
	OPERATING INDICATION	Not provided			
	REMOTE SENSING	Not provided			
REMOTE ON/OFF	Option (Refer to Instruction Manual 6)				
ISOLATION	INPUT-OUTPUT-RC	*6 AC3,000V 1minute, Cutoff current = 10mA, DC500V 50MΩ min (At Room Temperature)			
	INPUT-FG	AC2,000V 1minute, Cutoff current = 10mA, DC500V 50MΩ min (At Room Temperature)			
	OUTPUT-RC-FG	*6 AC500V 1minute, Cutoff current = 25mA, DC500V 50MΩ min (At Room Temperature)			
	OUTPUT-RC	*6 AC100V 1minute, Cutoff current = 25mA, DC100V 10MΩ min (At Room Temperature)			
ENVIRONMENT	OPERATING TEMP., HUMID. AND ALTITUDE *5	-10 to +70°C, 20 - 90%RH (Non condensing) (Refer to Instruction Manual 3.2), 3,000m (10,000feet) max			
	STORAGE TEMP., HUMID. AND ALTITUDE	-20 to +75°C, 20 - 90%RH (Non condensing), 9,000m (30,000feet) max			
	VIBRATION	10 - 55Hz, 19.6m/s <sup>2</sup> (2G), 3minutes period, 60minutes each along X, Y and Z axis			
SAFETY AND NOISE REGULATIONS	IMPACT	196.1m/s <sup>2</sup> (20G), 11ms, once each X, Y and Z axis			
	AGENCY APPROVALS (AT ONLY AC input)	UL60950-1, C-UL (CSA60950-1), EN60950-1, EN50178 Complies with DEN-AN			
	CONDUCTED NOISE	Complies with FCC-B, VCCI-B, CISPR22-B, EN55011-B, EN55022-B			
OTHERS	HARMONIC ATTENUATOR	Complies with IEC61000-3-2 (Class A) *8			
	CASE SIZE/WEIGHT	62 X 33 X 155mm [2.44 X 1.30 X 6.10 inches] (W X H X D) / 290g max (with chassis & cover : 480g max)			
	COOLING METHOD	Convection (Refer to Instruction Manual 3.1 and 3.2) *5			

\*1 Specification is changed at option, refer to Instruction Manual.

\*2 Peak loading for 10sec. And Duty 40% max, refer to Instruction Manual 5. In detail.

( ) means peak current. There is a possibility that an internal device is damaged when the specification is exceeded.

\*3 This is the value that measured on measuring board with capacitor of 22 μF at 150mm from output terminal.

Measured by 20MHz oscilloscope or Ripple-Noise meter (Equivalent to KEISOKU-GIKEN: RM103).

\*4 Drift is the change in DC output for an eight hour period after a half-hour warm-up at 25°C, with the input voltage held constant at the rated input/output.

\*5 Derating is required.

\*6 Applicable when remote control (optional) is added.

\*7 Please contact us about dynamic load and input response.

\*8 Please contact us about another class.

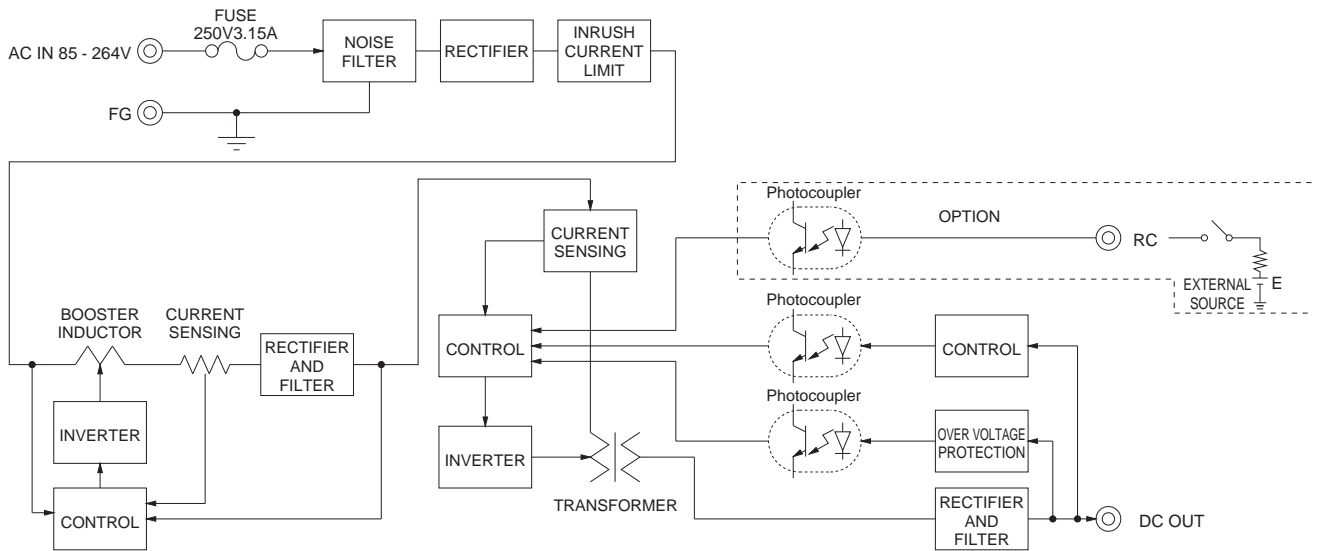
\* To meet the specifications. Do not operate over-loaded condition.

\* Parallel operation is not possible.

\* Derating is required when operated with chassis and cover.

\* Sound noise may be generated by power supply in case of pulse load.

## Block diagram



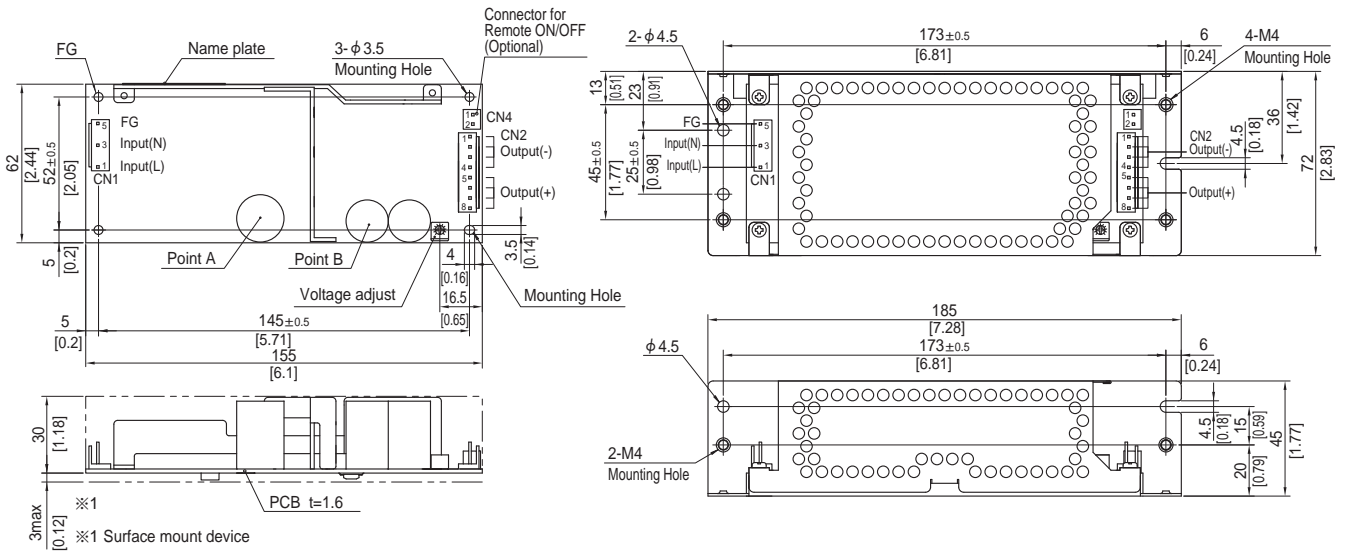
LFP

## External view

※ External size of option is different from standard model.

Standard type

Chassis and cover type



- ※ 4 Mounting holes are existing.
- ※ The back side of P.C.B. of the power supply is assembled some SMDs.
- Be attention not to bump against the attached area by vibration.
- ※ Use the spacer of 8mm length or more regarding insulation.
- And do not use press-fitting bush.
- ※ Point A, Point B are thermometry points. Please refer to Instruction Manual 3.

I/O Connector	Mating connector	Terminal
CN1	1-1123724-3	Chain 1123721-1
		Loose 1318912-1
CN2	1-1123723-8	Chain 1123721-1
		Loose 1318912-1

(Mfr:Tyco Electronics)

- ※ I/O Connector is Mfr. Tyco Electronics
- ※ Option:-J1:VH(J.S.T) connector type.

### <PIN CONNECTION>

#### CN1

Pin No.	Input
1	AC(L)
2	
3	AC(N)
4	
5	FG

#### CN2

Pin No.	Output
1 to 4	-V
5 to 8	+V

- ※ Keep drawing current per pin below 5A for CN2.

- ※ Tolerance :  $\pm 1$  [ $\pm 0.04$ ]
- ※ Weight : 290g max (with chassis & cover : 480g max)
- ※ PCB material : CEM3
- ※ Optional chassis and cover material : Electric galvanizing steel board.
- ※ Dimensions in mm, [ ]=inches
- ※ Mounting torque (Mounting hole of chassis) :  $1.5N \cdot m$  (16kgf · cm) max

### Connector type

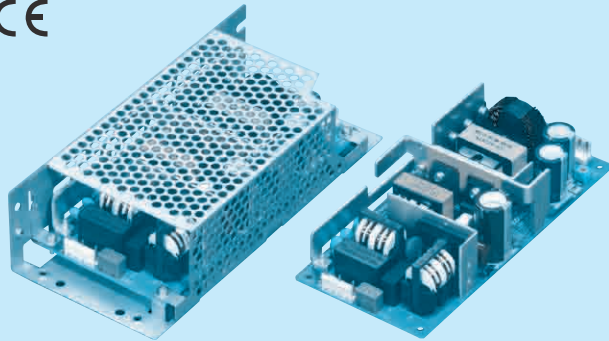
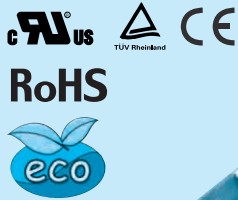
CN4 Option (Mfr:J.S.T)	
PIN No.	Contents
1	RC(+)
2	RC(-)

### Barrier strip type

Model B2B-XH-A  
Mating Connector (Terminal)  
XHP-2  
( BXH-001T-P0.6  
or SXH-001T-P0.6 )

# LFP150F

LF P 150 F -□ -□  
 ① ② ③ ④ ⑤ ⑥



Recommended EMI/EMC Filter  
**NAC-04-472**



High voltage pulse noise type : NAP series  
 Low leakage current type : NAM series

\*The EMI/EMC Filter is recommended to connect with several devices.

- ① Series name
- ② Single output
- ③ Output wattage
- ④ Universal input
- ⑤ Output voltage
- ⑥ Optional \*1
- C : with Coating
- G : Low leakage current
- J1 : VH(J.S.T.)connector type
- R : with Remote ON/OFF
- R2 : with Remote ON/OFF
- S : with Chassis
- SN: with Chassis & cover

Please refer to Instruction manual 6.

This power supply is manufactured by SMD technology. The stress to P.C.B like twisting or bending causes the defect of the unit, so handle the unit with care.

MODEL	LFP150F-24-Y	LFP150F-36-Y	LFP150F-48-Y
MAX OUTPUT WATTAGE[W]	*2 151.2 (302.4)	151.2 (302.4)	153.6 (307.2)
DC OUTPUT	*2 24V 6.3A (12.6A)	36V 4.2A (8.4A)	48V 3.2A (6.4A)

## SPECIFICATIONS

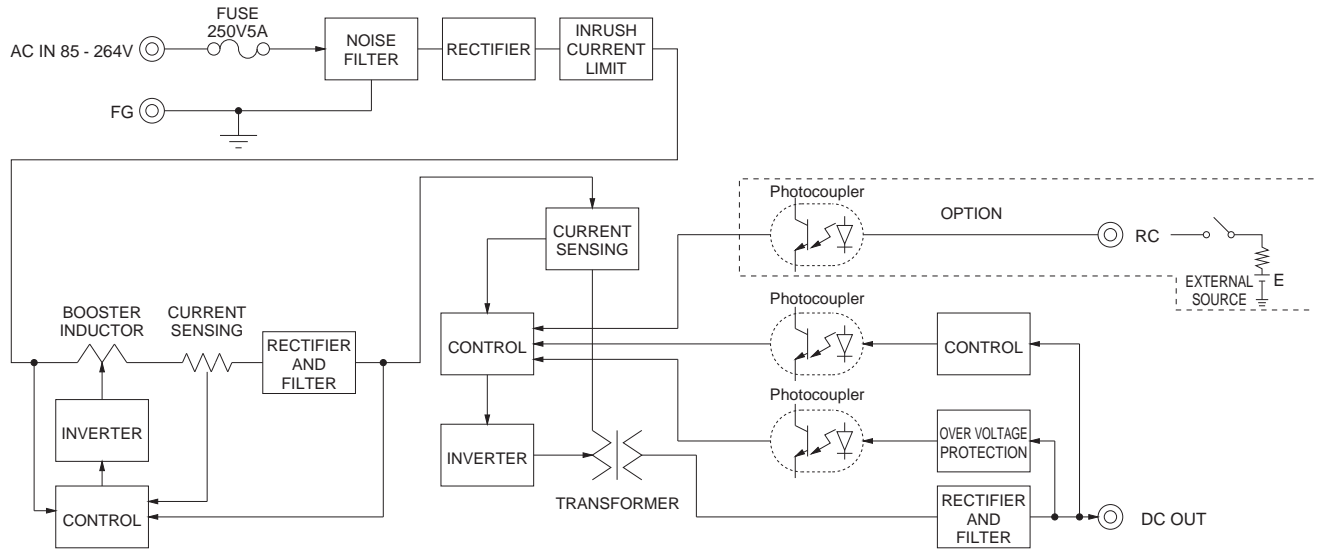
	MODEL	LFP150F-24-Y	LFP150F-36-Y	LFP150F-48-Y	
INPUT	VOLTAGE[V]	AC85 - 264 1 φ (Refer to Instruction Manual 1.1 and 3.2) *5			
	CURRENT[A]	ACIN 100V	2.0typ (Io=100%)		
		ACIN 200V	1.0typ (Io=100%)		
	FREQUENCY[Hz]	50 / 60 (47 - 63)			
	EFFICIENCY[%]	ACIN 100V	85.5typ (Io=100%)		85.5typ (Io=100%)
		ACIN 200V	88.0typ (Io=100%)		88.0typ (Io=100%)
	POWER FACTOR	ACIN 100V	0.99typ (Io=100%)		
		ACIN 200V	0.95typ (Io=100%)		
INRUSH CURRENT[A]	ACIN 100V	15typ (Io=100%) (At cold start) (Ta=25°C)			
	ACIN 200V	30typ (Io=100%) (At cold start) (Ta=25°C)			
LEAKAGE CURRENT[ma]	0.40 / 0.75max (ACIN 100V / 240V 60Hz, Io=100%, According to IEC60950-1 and DEN-AN)				
OUTPUT	VOLTAGE[V]	24	36	48	
	CURRENT[A]	*2 6.3 (Peak 12.6)	4.2 (Peak 8.4)	3.2 (Peak 6.4)	
	LINE REGULATION[mV]	*7 96max	144max	192max	
	LOAD REGULATION[mV]	*7 150max	240max	240max	
	RIPPLE[mVp-p]	*3 0 to +50°C	120max	150max	150max
		-10 - 0°C	160max	200max	200max
	RIPPLE NOISE[mVp-p]*3	0 to +50°C	150max	250max	250max
		-10 - 0°C	180max	300max	300max
	TEMPERATURE REGULATION[mV]	0 to +50°C	240max	360max	480max
		-10 to +50°C	290max	450max	600max
	DRIFT[mV]	*4 96max	144max	192max	
	START-UP TIME[ms]	350typ (ACIN 100V, Io=100%)			
	HOLD-UP TIME[ms]	20typ (ACIN 100V, Io=100%)			
	OUTPUT VOLTAGE ADJUSTMENT RANGE[V]	21.60 to 27.50	32.40 to 39.60	39.60 to 52.80	
OUTPUT VOLTAGE SETTING[V]	24.00 to 24.96	36.00 to 37.44	48.00 to 49.92		
PROTECTION CIRCUIT AND OTHERS	OVERCURRENT PROTECTION	Works over 101% of rating and recovers automatically			
	OVERVOLTAGE PROTECTION[V]	27.60 to 33.60	41.40 to 50.40	55.20 to 67.20	
	OPERATING INDICATION	Not provided			
	REMOTE SENSING	Not provided			
REMOTE ON/OFF	Option (Refer to Instruction Manual 6)				
ISOLATION	INPUT-OUTPUT-RC	*6 AC3,000V 1minute, Cutoff current = 10mA, DC500V 50MΩ min (At Room Temperature)			
	INPUT-FG	AC2,000V 1minute, Cutoff current = 10mA, DC500V 50MΩ min (At Room Temperature)			
	OUTPUT-RC-FG	*6 AC500V 1minute, Cutoff current = 25mA, DC500V 50MΩ min (At Room Temperature)			
	OUTPUT-RC	*6 AC100V 1minute, Cutoff current = 25mA, DC100V 10MΩ min (At Room Temperature)			
ENVIRONMENT	OPERATING TEMP., HUMID. AND ALTITUDE *5	-10 to +70°C, 20 - 90%RH (Non condensing) (Refer to Instruction Manual 3.2), 3,000m (10,000feet) max			
	STORAGE TEMP., HUMID. AND ALTITUDE	-20 to +75°C, 20 - 90%RH (Non condensing), 9,000m (30,000feet) max			
	VIBRATION	10 - 55Hz, 19.6m/s <sup>2</sup> (2G), 3minutes period, 60minutes each along X, Y and Z axis			
SAFETY AND NOISE REGULATIONS	IMPACT	196.1m/s <sup>2</sup> (20G), 11ms, once each X, Y and Z axis			
	AGENCY APPROVALS (AT ONLY AC input)	UL60950-1, C-UL (CSA60950-1), EN60950-1, EN50178 Complies with DEN-AN			
	CONDUCTED NOISE	Complies with FCC-B, VCCI-B, CISPR22-B, EN55011-B, EN55022-B			
OTHERS	HARMONIC ATTENUATOR	Complies with IEC61000-3-2 (Class A) *8			
	CASE SIZE/WEIGHT	75 X 36.5 X 160mm [2.95 X 1.44 X 6.30 inches] (W X H X D) / 380g max (with chassis & cover : 610g max)			
	COOLING METHOD	Convection (Refer to Instruction Manual 3.1 and 3.2) *5			

\*1 Specification is changed at option, refer to Instruction Manual.  
 \*2 Peak loading for 10sec. And Duty 40% max, refer to Instruction Manual 5. In detail.  
 ( ) means peak current. There is a possibility that an internal device is damaged when the specification is exceeded.  
 \*3 This is the value that measured on measuring board with capacitor of 22 μF at 150mm from output terminal.

Measured by 20MHz oscilloscope or Ripple-Noise meter (Equivalent to KEISOKU-GIKEN: RM103).  
 \*4 Drift is the change in DC output for an eight hour period after a half-hour warm-up at 25°C, with the input voltage held constant at the rated input/output.  
 \*5 Derating is required.  
 \*6 Applicable when remote control (optional) is added.

\*7 Please contact us about dynamic load and input response.  
 \*8 Please contact us about another class.  
 \* To meet the specifications. Do not operate over-loaded condition.  
 \* Parallel operation is not possible.  
 \* Derating is required when operated with chassis and cover.  
 \* Sound noise may be generated by power supply in case of pulse load.

## Block diagram



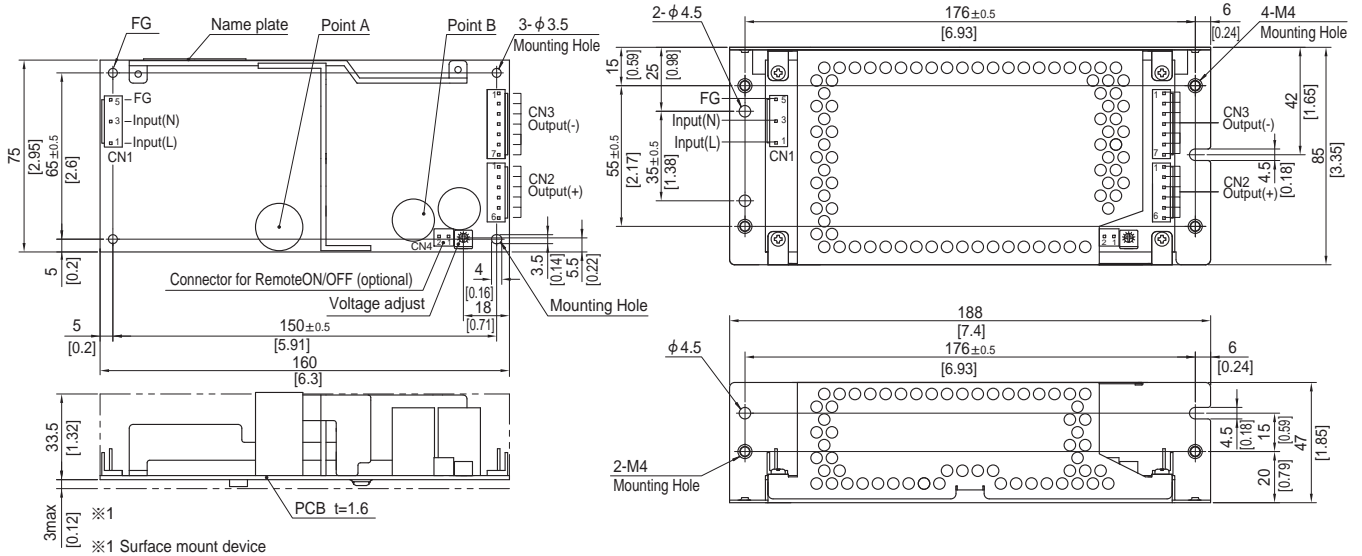
LFP

## External view

※ External size of option is different from standard model.

Standard type

Chassis and cover type



- ※ 4 Mounting holes are existing.
- ※ The back side of P.C.B. of the power supply is assembled some SMDs.  
Be attention not to bump against the attached area by vibration.
- ※ Use the spacer of 8mm length or more regarding insulation.  
And do not use press-fitting bush.
- ※ Point A, Point B are thermometry points. Please refer to Instruction Manual 3.

I/O Connector	Mating connector	Terminal
CN1	1-1123724-3	Chain 1123721-1
		Loose 1318912-1
CN2	1-1123723-6	Chain 1123721-1
		Loose 1318912-1
CN3	1-1123723-7	Chain 1123721-1
		Loose 1318912-1

(Mfr:Tyco Electronics)

- ※ I/O Connector is Mfr. Tyco Electronics
- ※ Option: -J1:VH(J.S.T) connector type.

### <PIN CONNECTION>

CN1		CN2		CN3	
Pin No.	Input	Pin No.	Output	Pin No.	Output
1	AC(L)	1 to 6	+V	1 to 7	-V
2					
3	AC(N)				
4					
5	FG				

※ Keep drawing current per pin below 5A for CN2,CN3.

- ※ Tolerance : ±1 [±0.04]
- ※ Weight : 380g max (with chassis & cover : 610g max)
- ※ PCB material : CEM3
- ※ Optional chassis and cover material : Electric galvanizing steel board.
- ※ Dimensions in mm, [ ]=inches
- ※ Mounting torque (Mounting hole of chassis) :1.5N · m (16kgf · cm) max

### Connector type

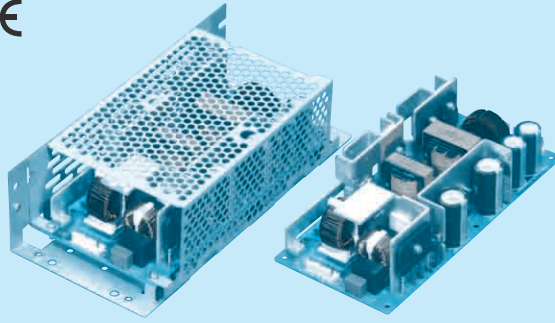
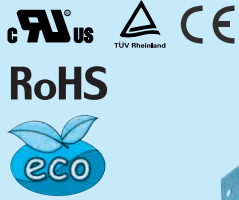
CN4 Option (Mfr.J.S.T)	
PIN No.	Contents
1	RC(+)
2	RC(-)

### Barrier strip type

Model B2B-XH-A  
Mating Connector (Terminal)  
XHP-2  
( BXH-001T-P0.6  
or SXH-001T-P0.6 )

# LFP240F

LF P 240 F -□ -□  
 ① ② ③ ④ ⑤ ⑥



Recommended EMI/EMC Filter  
**NAC-06-472**



High voltage pulse noise type : NAP series  
 Low leakage current type : NAM series

- ① Series name
- ② Single output
- ③ Output wattage
- ④ Universal input
- ⑤ Output voltage
- ⑥ Optional \*1
- C : with Coating
- G : Low leakage current
- J1 : VH(J.S.T.)connector type
- R : with Remote ON/OFF
- R2 : with Remote ON/OFF
- S : with Chassis
- SN : with Chassis & cover
- T : Vertical terminal block
- U1 : Can be attached the external capacitor unit

Please refer to Instruction manual 6.

This power supply is manufactured by SMD technology. The stress to P.C.B like twisting or bending causes the defect of the unit, so handle the unit with care.

MODEL	LFP240F-24-Y	LFP240F-30-Y	LFP240F-36-Y	LFP240F-48-Y
MAX OUTPUT WATTAGE[W]	300 (480) <sup>*2</sup>	300 (480)	302.4 (482.4)	302.4 (480)
DC OUTPUT	Convection	24V 10A (20A)	30V 8A (16A)	36V 6.7A (13.4A)
	Forced air	24V 12.5A (20A)	30V 10A (16A)	36V 8.4A (13.4A)

## SPECIFICATIONS

	MODEL	LFP240F-24-Y	LFP240F-30-Y	LFP240F-36-Y	LFP240F-48-Y	
INPUT	VOLTAGE[V]	AC85 - 264 1 φ (Refer to Instruction Manual 1.1 and 3.2) *5				
	CURRENT[A]	ACIN 100V	3.6typ (Io=100%)			
		ACIN 200V	1.8typ (Io=100%)			
	FREQUENCY[Hz]	50 / 60 (47 - 63)				
	EFFICIENCY[%]	ACIN 100V	86.0typ (Io=100%)			
		ACIN 200V	88.5typ (Io=100%)			
	POWER FACTOR	ACIN 100V	0.99typ (Io=100%)			
INRUSH CURRENT[A]	ACIN 100V	15 / 30typ (Io=100%) (Primary inrush current /Secondary inrush current) (More than 3 sec. to re-start)				
	ACIN 200V	30 / 30typ (Io=100%) (Primary inrush current /Secondary inrush current) (More than 3 sec. to re-start)				
LEAKAGE CURRENT[mA]	0.40 / 0.75max (ACIN 100V / 240V 60Hz, Io=100%, According to IEC60950-1 and DEN-AN)					
OUTPUT	VOLTAGE[V]	24	30	36	48	
	CURRENT[A]	Convection *2	10 (Peak 20)	8 (Peak 16)	6.7 (Peak 13.4)	5 (Peak 10)
		Forced air *2	12.5 (Peak 20)	10 (Peak 16)	8.4 (Peak 13.4)	6.3 (Peak 10)
	LINE REGULATION[mV]	96max				
	LOAD REGULATION[mV]	150max				
	RIPPLE[mVp-p] *3	0 to +50°C	120max			
		-10 - 0°C	160max			
	RIPPLE NOISE[mVp-p] *3	0 to +50°C	150max			
		-10 - 0°C	180max			
	TEMPERATURE REGULATION[mV]	0 to +50°C	240max			
		-10 to +50°C	290max			
	DRIFT[mV]	96max				
	START-UP TIME[ms]	350typ (ACIN 100V, Io=100%)				
	HOLD-UP TIME[ms]	20typ (ACIN 100V, Io=100%)				
OUTPUT VOLTAGE ADJUSTMENT RANGE[V]	21.60 to 27.50		27.00 to 33.00	32.40 to 39.60	39.60 to 52.80	
OUTPUT VOLTAGE SETTING[V]	24.00 to 24.96		30.00 to 31.20	36.00 to 37.44	48.00 to 49.92	
PROTECTION CIRCUIT AND OTHERS	OVERCURRENT PROTECTION	Works over 101% of rating and recovers automatically				
	OVERVOLTAGE PROTECTION[V]	27.60 to 33.60	34.50 to 42.00	41.40 to 50.40	55.20 to 67.20	
	OPERATING INDICATION	Not provided				
	REMOTE SENSING	Not provided				
ISOLATION	REMOTE ON/OFF	Option (Refer to Instruction Manual 6)				
	INPUT-OUTPUT-RC	*6 AC3,000V 1minute, Cutoff current = 10mA, DC500V 50MΩ min (At Room Temperature)				
	INPUT-FG	AC2,000V 1minute, Cutoff current = 10mA, DC500V 50MΩ min (At Room Temperature)				
	OUTPUT-RC-FG	*6 AC500V 1minute, Cutoff current = 25mA, DC500V 50MΩ min (At Room Temperature)				
	OUTPUT-RC	*6 AC100V 1minute, Cutoff current = 25mA, DC100V 10MΩ min (At Room Temperature)				
ENVIRONMENT	OPERATING TEMP., HUMID. AND ALTITUDE *5	-10 to +70°C, 20 - 90%RH (Non condensing) (Refer to Instruction Manual 3.2), 3,000m (10,000feet) max				
	STORAGE TEMP., HUMID. AND ALTITUDE	-20 to +75°C, 20 - 90%RH (Non condensing), 9,000m (30,000feet) max				
	VIBRATION	10 - 55Hz, 19.6m/s <sup>2</sup> (2G), 3minutes period, 60minutes each along X, Y and Z axis				
	IMPACT	196.1m/s <sup>2</sup> (20G), 11ms, once each X, Y and Z axis				
SAFETY AND NOISE REGULATIONS	AGENCY APPROVALS (AT ONLY AC input)	UL60950-1, C-UL (CSA60950-1), EN60950-1, EN50178 Complies with DEN-AN				
	CONDUCTED NOISE	Complies with FCC-B, VCCI-B, CISPR22-B, EN55011-B, EN55022-B				
	HARMONIC ATTENUATOR	Complies with IEC61000-3-2 (Class A) *8				
OTHERS	CASE SIZE/WEIGHT	84 X 46 X 180mm [3.31 X 1.81 X 7.09 inches] (W X H X D) / 540g max (with chassis & cover : 860g max)				
	COOLING METHOD	Convection / Forced air (Refer to Instruction Manual 3.1 and 3.2) *5				

\*1 Specification is changed at option, refer to Instruction Manual.

\*2 Peak loading for 10sec. And Duty 40% max, refer to Instruction Manual 5. In detail.

( ) means peak current. There is a possibility that an internal device is damaged when the specification is exceeded.

\*3 This is the value that measured on measuring board with capacitor of 22 μF at 150mm from output terminal.

Measured by 20MHz oscilloscope or Ripple-Noise meter (Equivalent to KEISOKU-GIKEN: RM103).

\*4 Drift is the change in DC output for an eight hour period after a half-hour warm-up at 25°C, with the input voltage held constant at the rated input/output.

\*5 Derating is required.

\*6 Applicable when remote control (optional) is added.

\*7 Please contact us about dynamic load and input response.

\*8 Please contact us about another class.

\*9 By attaching an external capacitor unit, it is possible to extend the hold-up time.

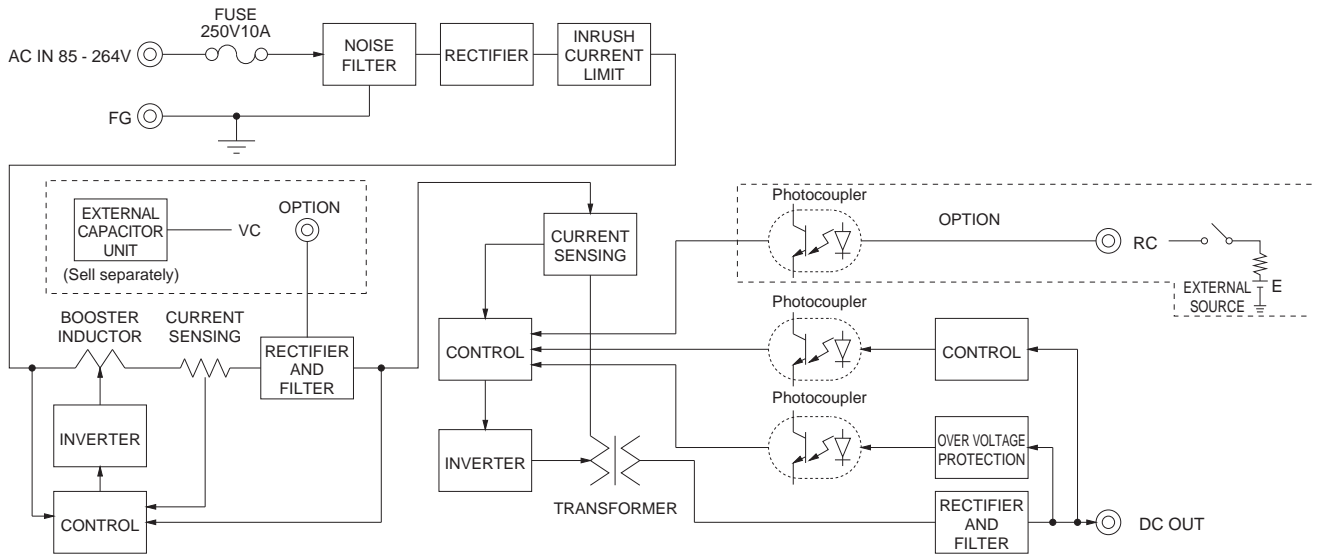
\* To meet the specifications. Do not operate over-loaded condition.

\* Parallel operation is not possible.

\* Derating is required when operated with chassis and cover.

\* Sound noise may be generated by power supply in case of pulse load.

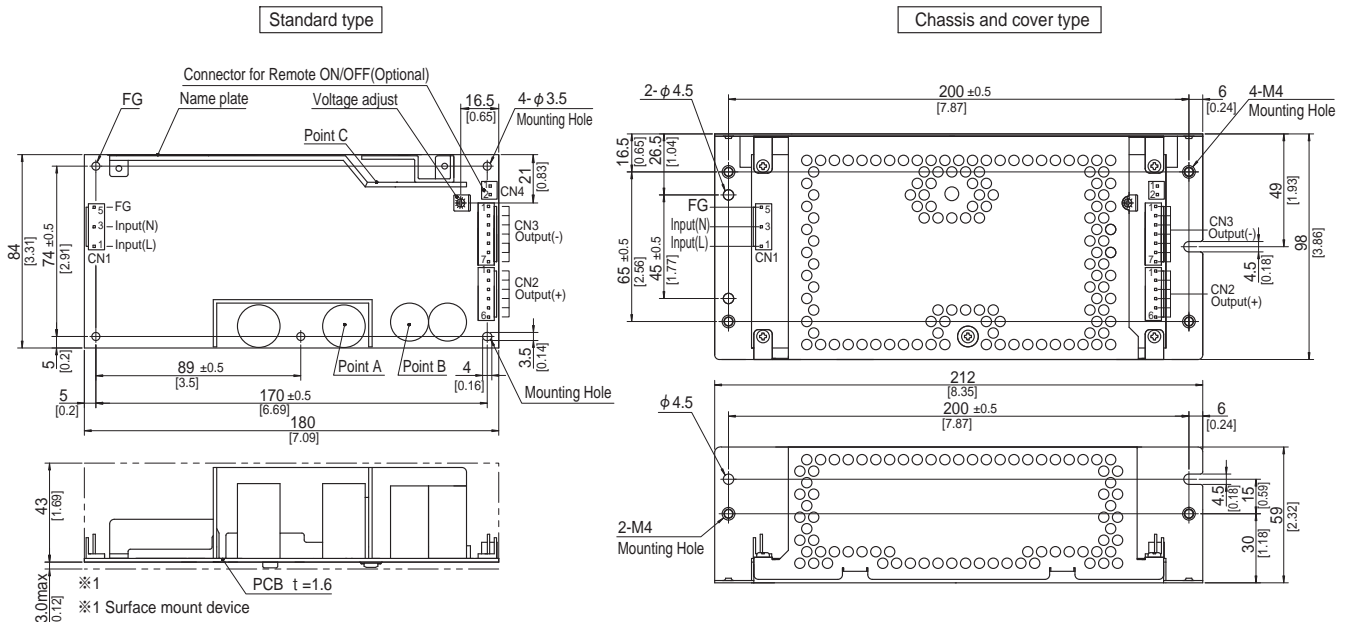
## Block diagram



LFP

## External view

※ External size of option is different from standard model.



- ※ 5 Mounting holes are existing.
- ※ The back side of P.C.B. of the power supply is assembled some SMDs.  
Be attention not to bump against the attached area by vibration.
- ※ Use the spacer of 8mm length or more regarding insulation.  
And do not use press-fitting bush.
- ※ Point A, Point B, Point C are thermometry points. Please refer to Instruction Manual 3.

I/O Connector	Mating connector	Terminal
CN1	1-1123724-3	1123721-1
		1318912-1
CN2	1-1123723-6	1123721-1
		1318912-1
CN3	1-1123722-7	1123721-1
		1318912-1

(Mfr:Tyco Electronics)

- ※ I/O Connector is Mfr. Tyco Electronics
- ※ Option:-J1:VH(J.S.T) connector type.

### <PIN CONNECTION>

CN1		CN2		CN3	
Pin No.	Input	Pin No.	Output	Pin No.	Output
1	AC(L)	1 to 6	+V	1 to 7	-V
2					
3	AC(N)				
4					
5	FG				

※ Keep drawing current per pin below 5A for CN2,CN3.

- ※ Tolerance :  $\pm 1$  [ $\pm 0.04$ ]
- ※ Weight : 540g max (with chassis & cover : 860g max)
- ※ PCB material : CEM3
- ※ Optional chassis and cover material : Electric galvanizing steel board.
- ※ Dimensions in mm, [ ]=inches
- ※ Mounting torque (Mounting hole of chassis) :1.5N · m (16kgf · cm) max

### Connector type

CN4 Option (Mfr:J.S.T)

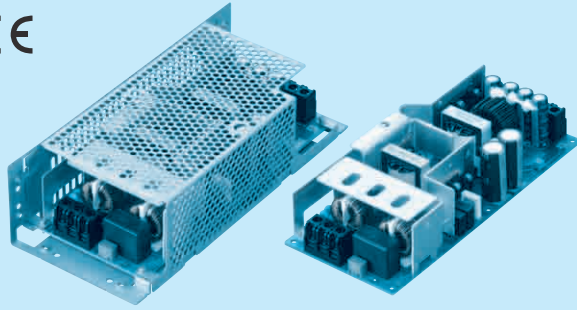
PIN No.	Contents
1	RC(+)
2	RC(-)

### Barrier strip type

Model B2B-XH-A  
Mating Connector (Terminal)  
XHP-2  
(BXH-001T-P0.6  
or SXH-001T-P0.6)

# LFP300F

LF P 300 F -□ -□  
 ① ② ③ ④ ⑤ ⑥



Recommended EMI/EMC Filter  
**NAC-06-472**



High voltage pulse noise type : NAP series  
 Low leakage current type : NAM series

- ① Series name
- ② Single output
- ③ Output wattage
- ④ Universal input
- ⑤ Output voltage
- ⑥ Optional \*1
- C : with Coating
- G : Low leakage current
- J : EP (Tyco Electronics) connector type
- J1 : VH (J.S.T.) connector type
- R : with Remote ON/OFF
- R2 : with Remote ON/OFF
- S : with Chassis
- SN : with Chassis & cover
- SNF : with Chassis & cover & fan (Only 24V)
- T1 : Horizontal terminal block
- U1 : Can be attached the external capacitor unit

This power supply is manufactured by SMD technology. The stress to P.C.B like twisting or bending causes the defect of the unit, so handle the unit with care.

Please refer to Instruction manual 6.

MODEL	LFP300F-24-TY	LFP300F-30-TY	LFP300F-36-TY	LFP300F-48-TY
MAX OUTPUT WATTAGE[W]	360 (600)	360 (600)	360 (604.8)	360 (604.8)
DC OUTPUT	Convection	30V 10A (20A)	36V 8.4A (16.8A)	48V 6.3A (12.6A)
	Forced air	30V 12A (20A)	36V 10A (16.8A)	48V 7.5A (12.6A)

## SPECIFICATIONS

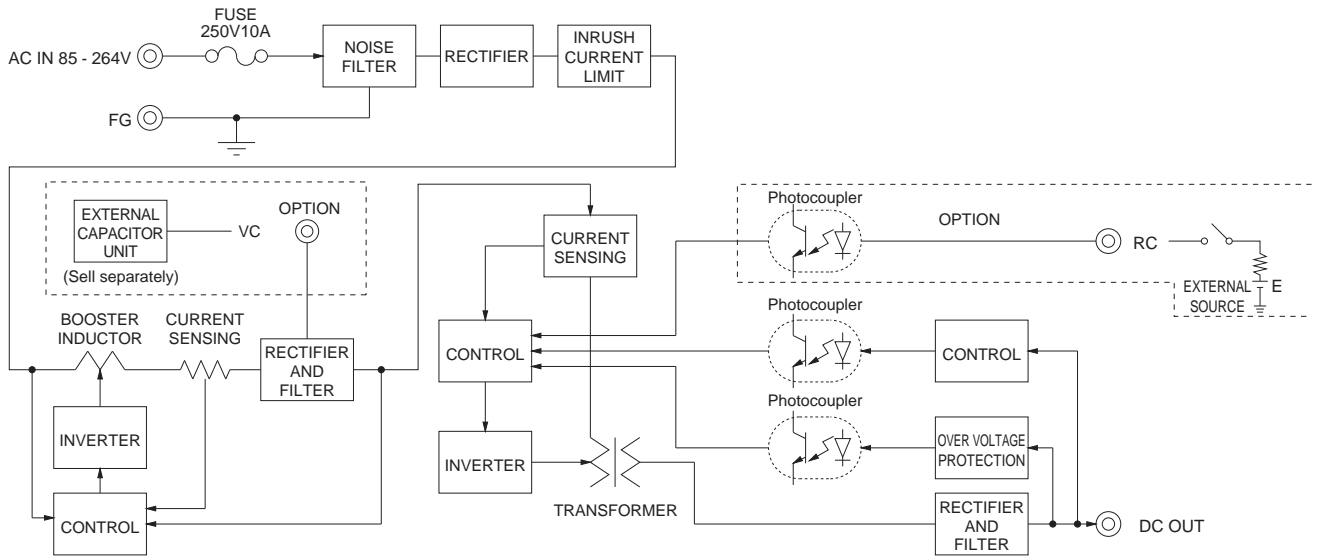
	MODEL	LFP300F-24-TY	LFP300F-30-TY	LFP300F-36-TY	LFP300F-48-TY	
INPUT	VOLTAGE[V]	AC85 - 264 1 φ (Refer to Instruction Manual 1.1 and 3.2) *5				
	CURRENT[A]	ACIN 100V	4.3typ (Io=100%)			
		ACIN 200V	2.2typ (Io=100%)			
	FREQUENCY[Hz]	50 / 60 (47 - 63)				
	EFFICIENCY[%]	ACIN 100V	85.0typ (Io=100%)	85.5typ (Io=100%)	85.5typ (Io=100%)	85.5typ (Io=100%)
		ACIN 200V	88.0typ (Io=100%)	88.0typ (Io=100%)	88.0typ (Io=100%)	88.0typ (Io=100%)
	POWER FACTOR	ACIN 100V	0.99typ (Io=100%)			
ACIN 200V		0.95typ (Io=100%)				
INRUSH CURRENT[A]	ACIN 100V	15 / 30typ (Io=100%) (Primary inrush current /Secondary inrush current) (More than 3 sec. to re-start)				
	ACIN 200V	30 / 30typ (Io=100%) (Primary inrush current /Secondary inrush current) (More than 3 sec. to re-start)				
LEAKAGE CURRENT[mA]	0.45 / 0.75max (ACIN 100V / 240V 60Hz, Io=100%, According to IEC60950-1 and DEN-AN)					
OUTPUT	VOLTAGE[V]	24	30	36	48	
	CURRENT[A]	ACIN 100V*2	12.5 (Peak 22) Convection	10 (Peak 18) Convection	8.4 (Peak 14.6) Convection	6.3 (Peak 11) Convection
			15 (Peak 22) Forced air	12 (Peak 18) Forced air	10 (Peak 14.6) Forced air	7.5 (Peak 11) Forced air
		ACIN 200V*2	12.5 (Peak 25) Convection	10 (Peak 20) Convection	8.4 (Peak 16.8) Convection	6.3 (Peak 12.6) Convection
		15 (Peak 25) Forced air	12 (Peak 20) Forced air	10 (Peak 16.8) Forced air	7.5 (Peak 12.6) Forced air	
	LINE REGULATION[mV]	*7 96max	144max	144max	192max	
	LOAD REGULATION[mV]	*7 150max	240max	240max	240max	
	RIPPLE[mVp-p]	*3 0 to +40°C	120max	150max	150max	150max
		-10 - 0°C	160max	200max	200max	200max
	RIPPLE NOISE[mVp-p]*3	0 to +40°C	150max	250max	250max	250max
		-10 - 0°C	180max	300max	300max	300max
	TEMPERATURE REGULATION[mV]	0 to +40°C	240max	360max	360max	480max
		-10 to +40°C	290max	450max	450max	600max
	DRIFT[mV]	*4 96max	144max	144max	192max	
START-UP TIME[ms]	350typ (ACIN 100V, Io=100%)					
HOLD-UP TIME[ms]	*9 20typ (ACIN 100V, Io=100%)					
OUTPUT VOLTAGE ADJUSTMENT RANGE[V]	21.60 to 27.50		27.00 to 33.00	32.40 to 39.60	39.60 to 52.80	
OUTPUT VOLTAGE SETTING[V]	24.00 to 24.96		30.00 to 31.20	36.00 to 37.44	48.00 to 49.92	
PROTECTION CIRCUIT AND OTHERS	OVERCURRENT PROTECTION	Works over 101% of rating and recovers automatically				
	OVERVOLTAGE PROTECTION[V]	27.60 to 33.60	34.50 to 42.00	41.40 to 50.40	55.20 to 67.20	
	OPERATING INDICATION	Not provided				
	REMOTE SENSING	Not provided				
REMOTE ON/OFF	Option (Refer to Instruction Manual 6)					
ISOLATION	INPUT-OUTPUT-RC	*6 AC3,000V 1minute, Cutoff current = 10mA, DC500V 50MΩ min (At Room Temperature)				
	INPUT-FG	AC2,000V 1minute, Cutoff current = 10mA, DC500V 50MΩ min (At Room Temperature)				
	OUTPUT-RC-FG	*6 AC500V 1minute, Cutoff current = 25mA, DC500V 50MΩ min (At Room Temperature)				
	OUTPUT-RC	*6 AC100V 1minute, Cutoff current = 25mA, DC100V 10MΩ min (At Room Temperature)				
ENVIRONMENT	OPERATING TEMP., HUMID. AND ALTITUDE *5	-10 to +70°C, 20 - 90%RH (Non condensing) (Refer to Instruction Manual 3.2), 3,000m (10,000feet) max				
	STORAGE TEMP., HUMID. AND ALTITUDE	-20 to +75°C, 20 - 90%RH (Non condensing), 9,000m (30,000feet) max				
	VIBRATION	10 - 55Hz, 19.6m/s <sup>2</sup> (2G), 3minutes period, 60minutes each along X, Y and Z axis				
SAFETY AND NOISE REGULATIONS	IMPACT	196.1m/s <sup>2</sup> (20G), 11ms, once each X, Y and Z axis				
	AGENCY APPROVALS (AT ONLY AC input)	UL60950-1, C-UL (CSA60950-1), EN60950-1, EN50178 Complies with DEN-AN				
OTHERS	CONDUCTED NOISE	Complies with FCC-B, VCCI-B, CISPR22-B, EN55011-B, EN55022-B				
	HARMONIC ATTENUATOR	Complies with IEC61000-3-2 (Class A) *8				
OTHERS	CASE SIZE/WEIGHT	95 X 52.5 X 222mm [3.74 X 2.07 X 8.74 inches] (W X H X D) (without terminal block) / 810g max (with chassis & cover : 1,270g max)				
	COOLING METHOD	Convection / Forced air (Refer to Instruction Manual 3.1 and 3.2) *5				

\*1 Specification is changed at option, refer to Instruction Manual.  
 \*2 Peak loading for 10sec. And Duty 40% max, refer to Instruction Manual 5. In detail.  
 ( ) means peak current. There is a possibility that an internal device is damaged when the specification is exceeded.  
 \*3 This is the value that measured on measuring board with capacitor of 22 μF at 150mm from output terminal.

Measured by 20MHz oscilloscope or Ripple-Noise meter (Equivalent to KEISOKU-GIKEN: RM103).  
 \*4 Drift is the change in DC output for an eight hour period after a half-hour warm-up at 25°C, with the input voltage held constant at the rated input/output.  
 \*5 Derating is required.  
 \*6 Applicable when remote control (optional) is added.

\*7 Please contact us about dynamic load and input response.  
 \*8 Please contact us about another class.  
 \*9 By attaching an external capacitor unit, it is possible to extend the hold-up time.  
 \* To meet the specifications. Do not operate over-loaded condition.  
 \* Parallel operation is not possible.  
 \* Derating is required when operated with chassis and cover.  
 \* Sound noise may be generated by power supply in case of pulse load.

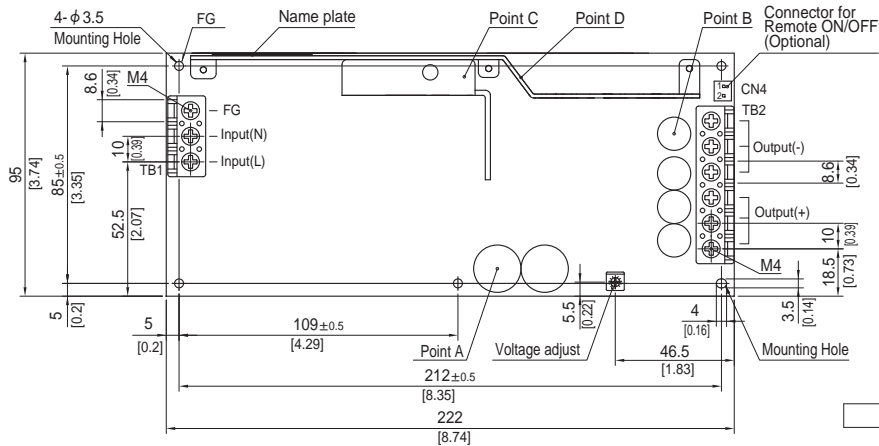
## Block diagram



## External view

※ External size of option is different from standard model.

Standard type



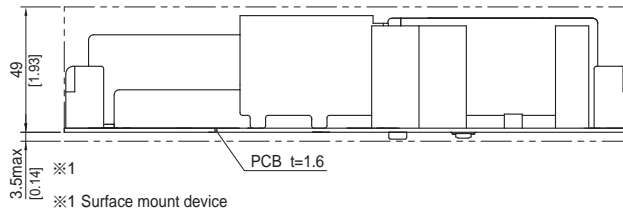
Connector type

CN4 Option (Mfr.:J.S.T)

PIN No.	Contents
1	RC(+)
2	RC(-)

Barrier strip type

Model B2B-XH-A  
Mating Connector (Terminal)  
XHP-2  
( BXH-001T-P0.6  
or SXH-001T-P0.6 )



- ※ 5 Mounting holes are existing.
- ※ The back side of P.C.B. of the power supply is assembled some SMDs.
- Be attention not to bump against the attached area by vibration.
- ※ Use the spacer of 8mm length or more regarding insulation. And do not use press-fitting bush.
- ※ Point A, Point B, Point C, Point D are thermometry points. Please refer to Instruction Manual 3.
- ※ Keep drawing current per pin below 20A for TB2.

- ※ Tolerance :  $\pm 1$  [ $\pm 0.04$ ]
- ※ Weight : 810g max (with chassis & cover : 1,270g max)
- ※ PCB material : CEM3
- ※ Dimensions in mm, [ ]=inches
- ※ Screw tightening torque : M4 1.6N · m (16.9kgf · cm) max