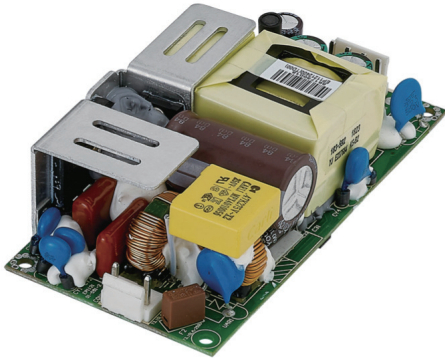


EP1121 Series



Features:

- IEC62368-1 Approved
- RoHS Compliance
- Over Voltage Protective Installation
- Over Current Protective Installation
- Over Temperature Protective Installation
- Short Circuit Protective Installation
- LED Indicator
- Efficiency level V
- MTBF > 100,000 hours

EP1121 XX YY

XX: Main - Power voltage
 YY: Serial number = 00

Electrical Specification

MODEL No.	MAX. OUTPUT POWER (W)	OUTPUT VOLTAGE (Vo)	MIN.	MAX.	LOAD REGULATION	LINE REGULATION	RIPPLE & NOISE
			LOAD(Io)	LOAD(Io)			
EP1121XXYY	120W	12V	0A	10A	±5%	±1%	240mV
		15V		8A			240mV
		19V		6.31A			360mV
		24V		5A			360mV
		52V		2.3A			780mV

NOTE:
 1 : Ripple & Noise is measured by using 20MHz bandwidth limited oscilloscope and terminated each output with a 0.1uf ceramic capacitor & parallel with 47uF aluminum capacitor at full load and nominal line.
 2 : Line regulation is defined by changing ±10% of input voltage from nominal line at rated load.
 3 : Max. Power (W) ≥ Vo x Io

Electrical Specification

INPUT

- Input Range 100 to 240 VAC
- Frequency 50 to 60 Hz
- Input Current ≤ 2.5A
- Inrush Current ≤ 100A At cold start
- Turn On Time ≤ 3s

OUTPUT

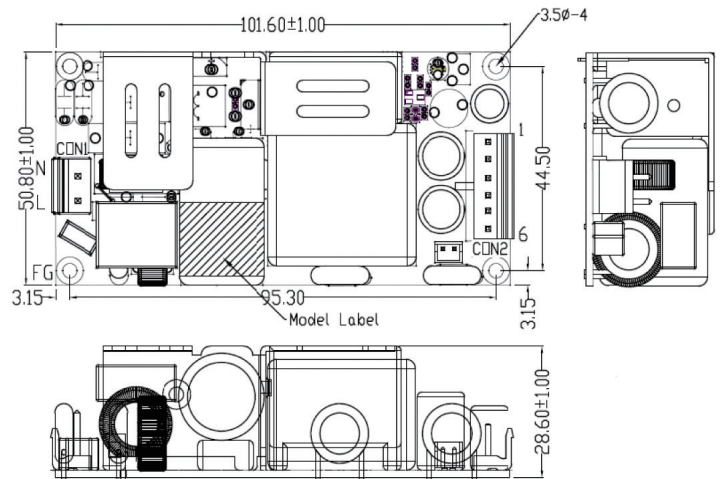
- Over Voltage Protection Latch-off
- Short Circuit Protection Auto Recovery
- Over Current Protection Auto Recovery
- Over Temperature Protection Latch-off

ENVIRONMENT

- Operating Temperature 0 to 50 °C
- Storage Temperature -20 to 85 °C
- Storage Humidity 5% to 95 %

SAFETY
 UL/cUL 62368, CB IEC62368, CE

Mechanical Specification



- Mechanical Size: 101.6 mm (L) * 50.8 mm (W) * 32.0 mm (H)
- AC Input Connector: Molex 09-65-2048 or equivalent
- DC Output Connector: JST VH Series or equivalent
- Pin Assignment:

CON2:

Single	P1-3	P4-6
Output	GND	VOUT

• Weight: 250g