

KRE -20A / -40A

KRE -□□A

①

②



① Series name
KRE : Euro style I/O terminals
② Output current

MODEL	KRE-20A	KRE-40A
DC OUTPUT CURRENT	20	40
DC PEAK OUTPUT CURRENT	30	60

SPECIFICATIONS

	MODEL	KRE-20A	KRE-40A
INPUT	VOLTAGE[V]	DC10 ~ 60	DC10 ~ 30
	CURRENT[A]	10 (×2 Input)	20 (×2 Input)
	PEAK CURRENT[A]	15 (×2 Input)	30 (×2 Input)
	INPUT-OUTPUT POTENTIAL DIFFERENCE[V]	0.6typ (Ta=25°C ,Io=100%)	0.4typ (Ta=25°C ,Io=100%)
OUTPUT	CURRENT[A]	20	40
	PEAK CURRENT[A]	*1 30	60
FUNCTION	DC_OK LAMP	LED (Green)	
	Balance_OK LAMP	LED (Green)	
	DC_OK CONTACT	Relay contact 30VDC 0.5Amax , 30VAC 0.5Amax (resistive load)	
ISOLATION	INPUT-OUTPUT-Chassis	AC1,000V 1minute, Cutoff current = 100mA, DC500V 50MΩ min (At Room Temperature)	
	INPUT-OUTPUT-DC_OK	AC500V 1minute, Cutoff current = 100mA, DC500V 50MΩ min (At Room Temperature)	
	DC_OK-Chassis	AC500V 1minute, Cutoff current = 100mA, DC500V 50MΩ min (At Room Temperature)	
ENVIRONMENT	OPERATING TEMP.,HUMID.AND ALTITUDE	-25 to +70°C (Required to Derating), 20 - 90%RH (Non condensing)	
	STORAGE TEMP.,HUMID.AND ALTITUDE	-25 to +85°C, 20 - 90%RH (Non condensing)	
	VIBRATION	*2 10 - 55Hz, 19.6m/s ² (2G), 3minutes period, 60 minutes along Z axis (Non operating, mounted on DIN Rail)	
	IMPACT	196.1m/s ² (20G), 11ms, once each X, Y and Z axis (Packing state)	
SAFETY	AGENCY APPROVALS	UL60950-1, C-UL (CSA60950-1) , EN60950-1 , UL508	
	CE MARKING	LVD	
OTHERS	CASE SIZE	*3 38×124×117mm (W×H×D) [1.5X4.88X4.61 inches]	
	WEIGHT	480g max	610gmax
	COOLING METHOD	Convection	

*1 Refer to 3, instruction manual.

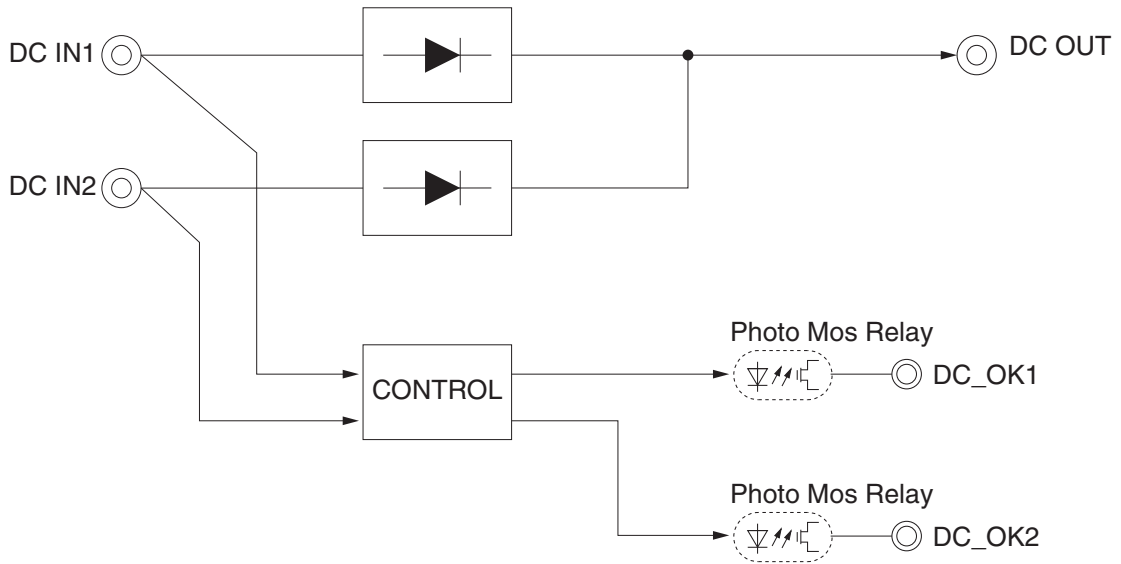
*2 Only as standard mounting orientation (A). Refer to the instruction manual 4.1.

*3 If install other than standard mounting orientation (A), please fix the power supply for withstand the vibration and impact.

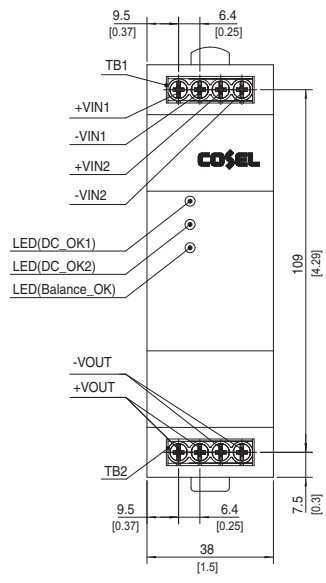
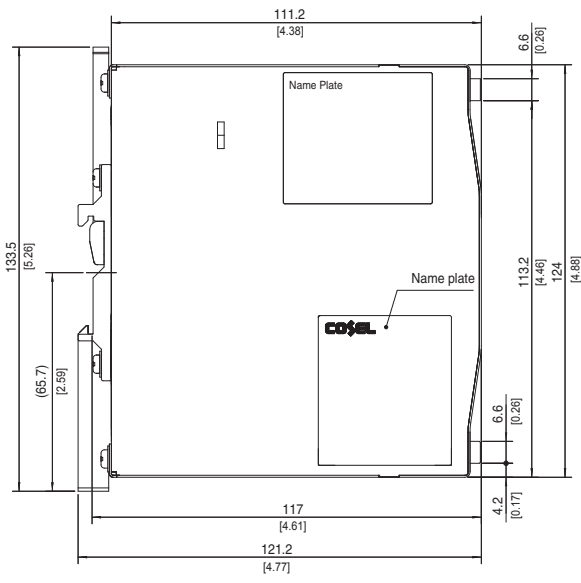
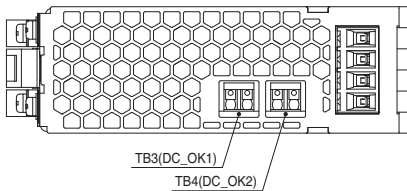
*4 Case size contains neither the umbo.

*5 To meet the specifications. Do not operate over-loaded condition.

Block diagram



External view



- ※ Tolerance : ±1.5 [±0.06]
- ※ Weight : KRE-20A 480g max
KRE-40A 610g max
- ※ PCB Material/thickness : FR-4 / 1.6mm [0.06]
- ※ Chassis material : Aluminum
- ※ Case material : Stainless steel
- ※ DIN rail attachment material : Aluminum, Stainless steel, Nylon
- ※ Dimensions in mm, [] = inches
- ※ Screw tightening torque : 1N · m max